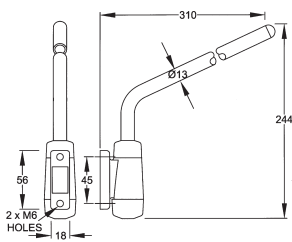


Z4007.067 ARMS

Black 'Minibrac' arm assembly
 ø13mm tube.
 Spring loaded adjustment.
 2 X M6 mounting holes.

Z4007.067

Adjustment can be done only when the arm is securely mounted.

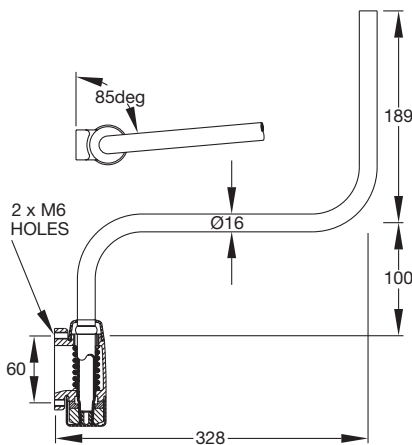


Z4007-313 ARMS

Black. 'Midibrac' arm assembly
 ø16mm tube.
 Spring loaded adjustment.
 2 X M6 mounting holes.

Z4007-313

Adjustment can be done only when the arm is securely mounted.



Z4007.456 ARMS

Black. 'Midibrac' arm assembly
 ø16mm tube. Spring loaded adjustment.
 2 X M6 mounting holes.

Z4007.456

Adjustment can be done only when the arm is securely mounted.

