

Z4007.522 R.H Z4007.523 L.H ARMS

Black. 'Midibrac' arm assembly
Ø16mm tube.

Z4007.522 Right hand.

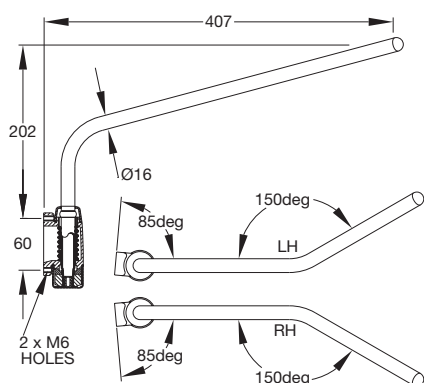
Z4007.523 Left hand.

Spring loaded adjustment.

2 X M6 mounting holes.

Z4007.522 R.H. Z4007.523 L.H.

Adjustment can only be done when the arm is securely mounted.



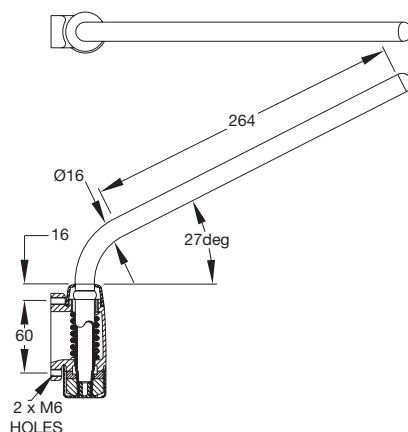
Z4007.526 ARMS

Black. 'Midibrac' arm assembly
Ø16mm tube. Spring loaded adjustment.

2 X M6 mounting holes.

Z4007.526

Adjustment can only be done when the arm is securely mounted.



7200.007.A ARMS

Black. 'Midibrac' arm assembly
Ø16mm tube.

Spring Loaded Adjustment.

2 x M6 Mounting Holes.

7200.007.A

Adjustment can only be done when the arm is securely mounted.

