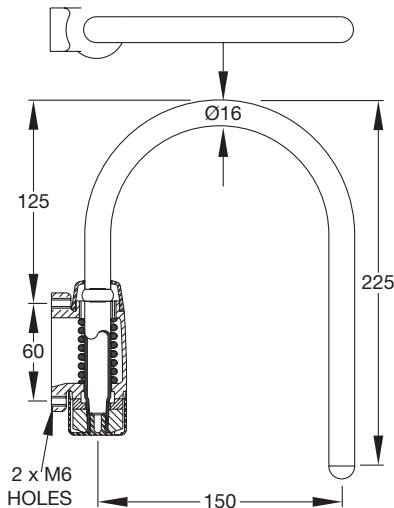


7200.050.A ARMS

Black. 'Midibrac' arm assembly
 ø16mm tube. Spring loaded adjustment.
 2 X M6 mounting holes.

7200.050.A

Adjustment can only be done when the arm is securely mounted.

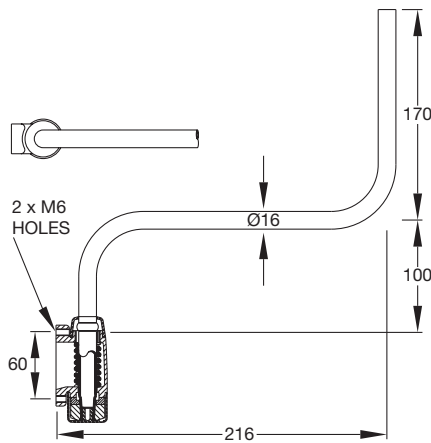


7200.025.A ARMS

Black. 'Midibrac' arm assembly
 ø16mm tube. Spring loaded adjustment.
 2 X M6 mounting holes.

7200.025.A

Adjustment can be done only when the arm is securely mounted.



7200.099.A ARMS

Black. 'Midibrac' arm assembly
 ø16mm tube. Spring loaded adjustment.
 2 X M8 mounting holes.

7200.099.A

Adjustment can be done only when the arm is securely mounted.

To fit Volvo Construction Machine (VCE)

