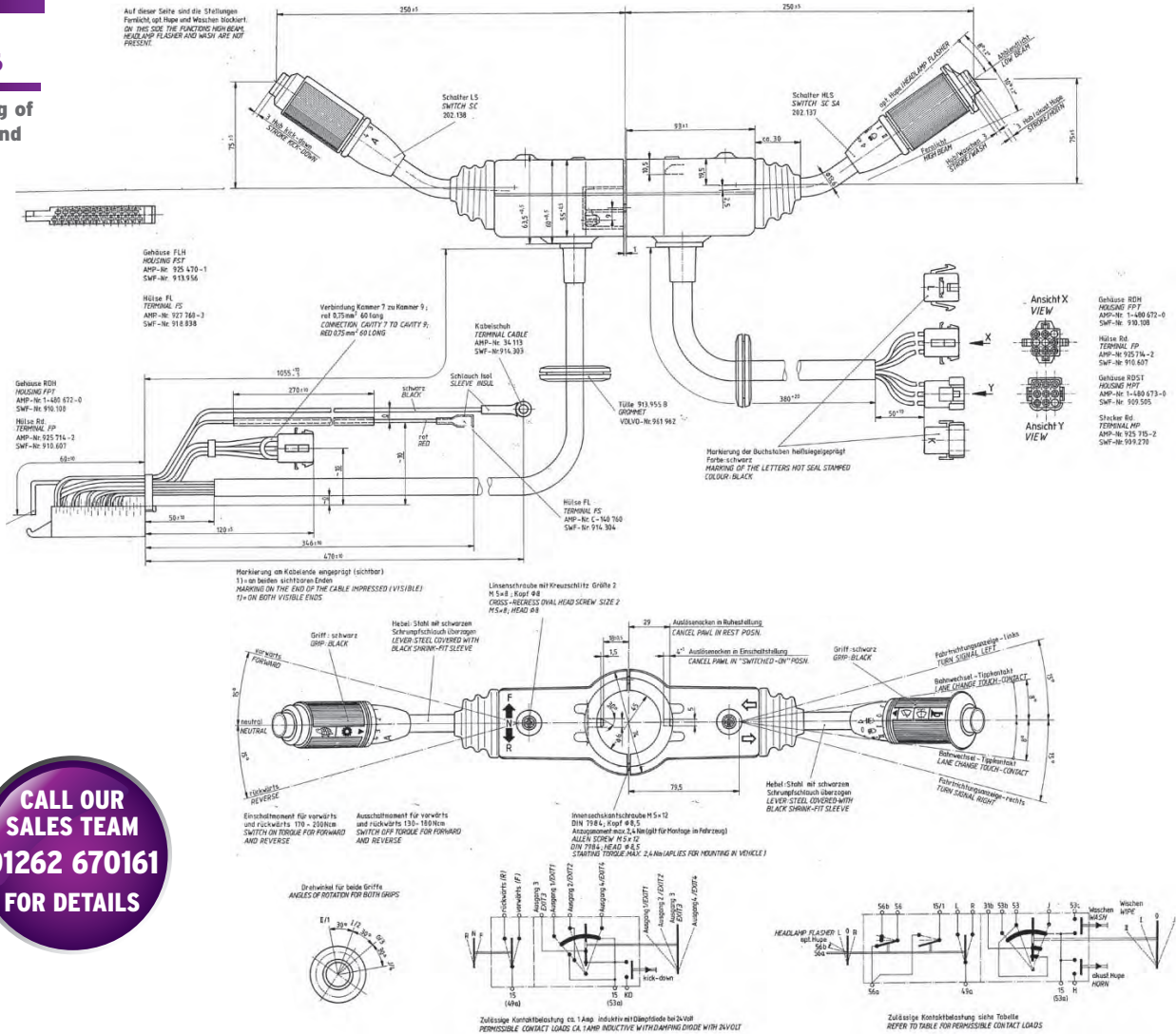


202.136

(Consisting of 202.137 and 202.138)



CALL OUR SALES TEAM 01262 670161 FOR DETAILS

ROCKER SWITCHES

The Valeo range of **511 Series** and **533 Series** rocker switches are available exclusively in the UK from Britax PMG Limited. The range is very extensive and this catalogue shows the popular functions/lighting options/inserts. These are generally available. For 'special' requirements, minimum order quantities and lead times will apply.

511 Series and 533 Series - Dimension and function of the two switch types is the same. Appearance of the switches and the function insert are different. So 511.000 ON-OFF switch is the same for fit and function as 533.000 ON-OFF switch.

for 533 series a 588 type function cover will be required.



511 SERIES

511 series with optional mounting frame. Inserts supplied separately.

Please Note: Of the products listed, we only normally stock commonly used parts. Please contact Britax for details of availability before ordering.

533 Series with function cover, supplied separately.

533 SERIES

