

### 391 SINGLE BOLT FIXING ROTATING HALOGEN BEACON

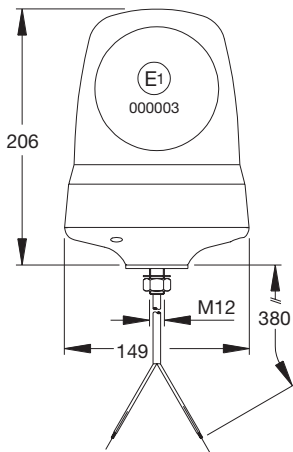
Amber. Flash Rate: 160 flashes per minute. Operating Temperature -30° to 50°.

**391.00.LB/.12V/.24V**

Specify voltage when ordering.

#### Spare Parts

- 10438.00 Amber Lens.
- 15214 Drive Belt.
- 13545.00 Motor Module Assembly.
- 20378.00 Reflector.
- 27031 Bulb Retaining Clip.
- H448 12V (55W) Halogen Bulb.
- H466 24V (70W) Halogen Bulb.



### B331 SINGLE BOLT FIXING/ SINGLE CONTACT BULB

Amber. Flash Rate: 80 flashes per minute. Operating Temperature -30° to 50°.

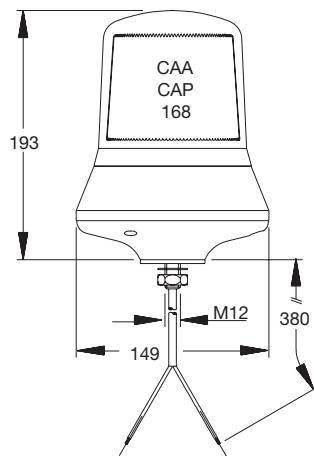
**B331.00.12V/.24V**

Specify voltage when ordering. Fitting a bulb with the incorrect voltage or wattage will damage the Beacon.

Approved for airport use.

#### Spare Parts

- 10318.00 Amber Lens.
- 10085 Internal Fresnel Lens.
- L2 12V 36W Bulb.
- L621 24V 36W Bulb.



### B11 SINGLE BOLT FIXING XENON MULTI-VOLTAGE BEACON

Amber. Polycarbonate Lens. Flash Rate: 75 flashes per minute. Operating Temperature -30° to 50°. Nominal Power 2 watts.

**B11.00.MV  
10V-100V DC. 20V-72V AC**

#### Spare Parts

- 18544.00 Amber Lens.

