



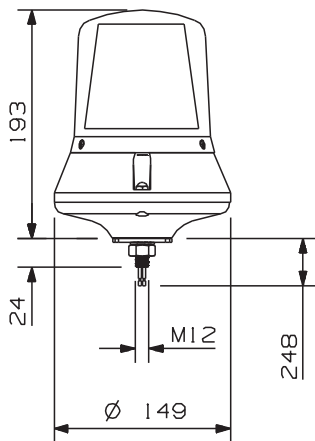
## B81 SINGLE BOLT FIXING LED BEACON

Amber. Polycarbonate Lens. Flash rate 70 groups of 5 flashes per minute. Operating temperature: -30° to 50°.

**B81.00.LMV**  
**10V-49V DC**

**Spare Parts**

- 10423.00 Amber Lens.
- 13606.50 Led Module.
- 10085 Internal Fresnel Lens.



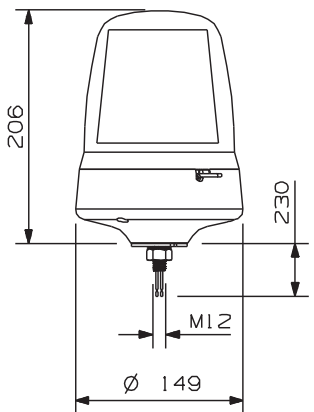
## B91 SINGLE BOLT FIXING LED BEACON

Amber. Flash rate 70 groups of 5 flashes per minute. Operating temperature: -30° to 50°.

**B91.00.LMV**  
**10V-49V DC**

**Spare Parts**

- 10438.10 Amber Lens.
- 13606.50 Led Module.
- 10085 Internal Fresnel Lens.



Other options are **available** subject to minimum order quantities, including:-

- \* blue or red lenses
- \* longer cables
- \* specific connectors