

292 PLUG-IN XENON BEACON

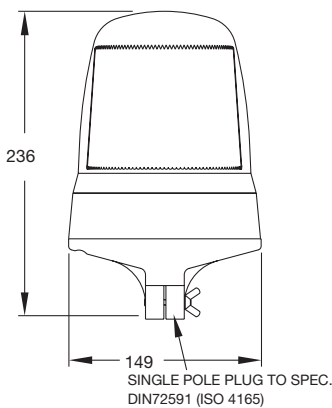
Amber. Flash rate 70 flashes per minute. Operating temperature -30° to 50°.

292.00.DV
10V-30V DC

Use with 13109 series fixing socket (not supplied with beacon) see page 29.

Spare Parts

- 10438.10 Lenses.
- 10085 Internal Fresnel Lens.
- 13002.00 Xenon Module.



B52 PLUG-IN LED BEACON

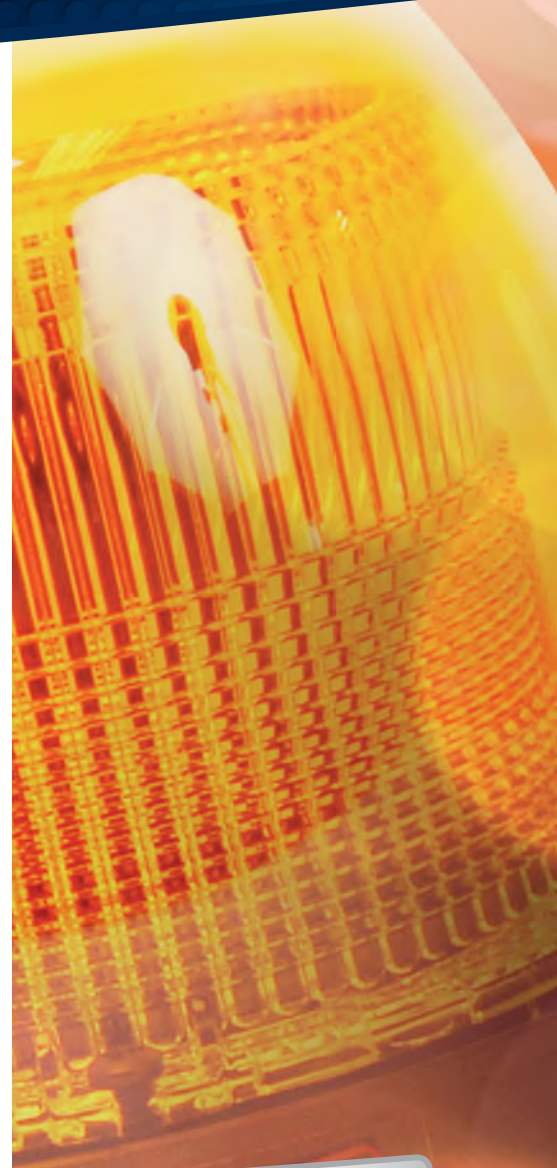
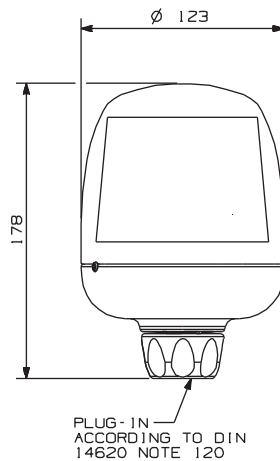
Amber. Polycarbonate Lens. Flash Rate: 70 groups of 5 flashes per minute. Operating Temperature -30° to 50°.

B52.00.LMV
10V-49V DC

Use with 13109 series fixing socket (not supplied with beacon) see page 29.

Spare Parts

- 10514.04 Amber Lens.
- 13605.51 Led Module.
- 10085 Internal Fresnel Lens.



Other options are **available** subject to minimum order quantities, including:-

- * blue or red lenses
- * longer cables
- * specific connectors