



B72 PLUG-IN LED BEACON

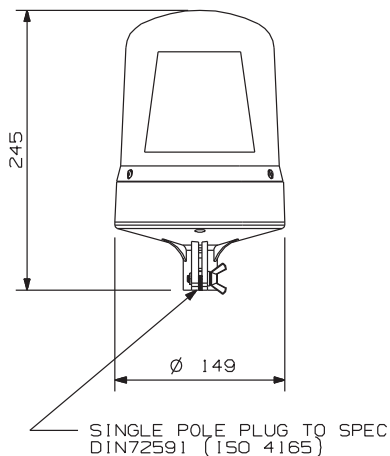
Amber. Polycarbonate Lens. Flash rate 70 groups of 5 flashes per minute. Operating temperature -30° to 50°.

B72.00.LMV
10V-49V DC
10V-30V DC

Use with 13109 series fixing socket (not supplied with beacon) see page 29

Spare Parts

- 10422.00 Amber Lens.
- 13606.50 Led Module.
- 10085 Internal Fresnel Lens.



B82 PLUG-IN LED BEACON

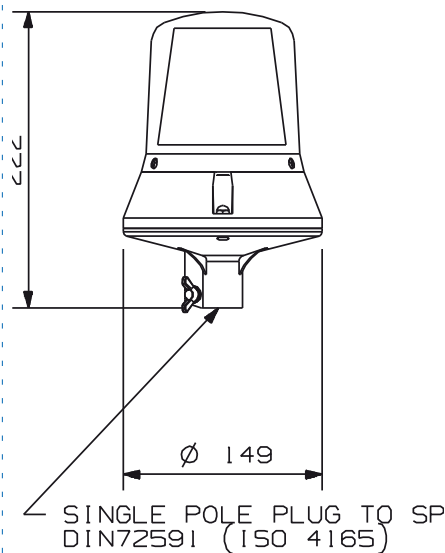
Amber. Polycarbonate Lens. Flash rate 70 groups of 5 flashes per minute. Operating temperature: -30° to 50°.

B82.00.LMV
10V-49V DC

Use with 13109 series fixing socket (not supplied with beacon) see page 29.

Spare Parts

- 10423.00 Amber Lens.
- 13606.50 LED Module.
- 10085 Internal Fresnel Lens.



B92 PLUG-IN LED BEACON

Amber. Flash rate 70 groups of 5 flashes per minute. Operating temperature: -30° to 50°.

B92.00.LMV
10V-49V DC

Use with 13109 series fixing socket (not supplied with beacon) see page 29.

Spare Parts

- 10438.10 Amber Lens.
- 13606.50 LED Module.
- 10085 Internal Fresnel Lens.

