

B334 MAGNETIC (50mph/80kph) SINGLE CONTACT BULB BEACON

Amber. Flash Rate: 80 flashes per minute. Operating Temperature -30° to 50°.

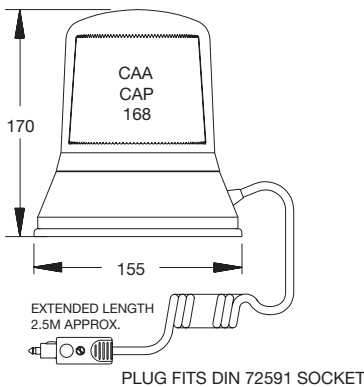
B334.00.12V/24V

For operating and fitting details see page 5.

Specify voltage when ordering. Fitting a bulb with incorrect voltage or wattage will damage the beacon.

Spare Parts

- 10318.00 Amber Lens.
- 10085 Internal Fresnel Lens.
- L2 12V 36W Bulb.
- L621 24V 36W Bulb.
- 14218.00 Single Pole Plug.



B14 MAGNETIC XENON (50mph/80kph) MULTI-VOLTAGE BEACON

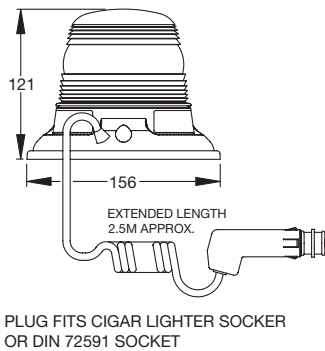
Amber. Polycarbonate Lens. Flash rate 75 flashes per minute. Operating temperature -30° to 50°. Nominal power 2 watts.

B14.00.MV
10V-100V DC 20V-72V AC

For operating and fitting details see page 5.

Spare Parts

- 18544.00 Amber Lens.
- 14218.00 Single Pole Plug.



274 MAGNETIC (40mph/64kph) XENON DOUBLE FLASH BEACON

Amber. Polycarbonate Lens. Flash rate 125 double flashes per minute. Operating temperature -30° to 50°.

274.00.DV
10V-30V DC

For operating and fitting details see page 5.

Spare Parts

- 10493.00 Amber Lens.
- 18541.00 Internal Fresnel Lens.
- 13001.00 Xenon Module.
- 14218.00 Single Pole Plug.

