



### B64 MAGNETIC (50mph/80kph) LED BEACON

Amber. Polycarbonate Lens. Flash Rate: 70 groups of 5 flashes per minute. Operating Temperature -20° to 50°.

**B64.00.LMV**  
**10V/49V DC**

Reverse polarity protected. For operating and fitting details see page 5.

**Spare Parts**

- 10503.00 Amber Lens.
- 13604.51 Led Module.
- 14218.00 Single Pole Plug.



### B74 MAGNETIC (40mph/64kph) LED BEACON

Amber. Flash rate: 70 groups of 5 flashes per minute. Operating temperature -30° to 50°.

**B74.00.LMV**  
**10V-49V DC**

For operating and fitting details see page 5.

**Spare Parts**

- 14218.00 Single Pole Plug.
- 13606.51 Led Module.
- 10422.00 Amber Lens.
- 10085 Internal Fresnel Lens.



### B84 MAGNETIC (50mph/80kph) LED BEACON

Amber. Polycarbonate Lens. Flash rate 70 groups of 5 flashes per minute. Operating temperature -30° to 50°.

**B84.00.LMV**  
**10V-49V DC**

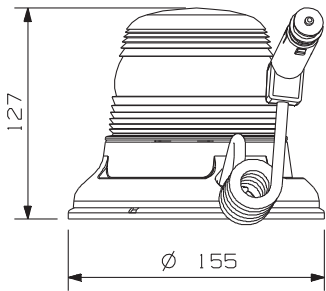
For operating and fitting details see page 5.

**Spare Parts**

- 10423.00 Amber Lens.
- 13606.51 Led Module.
- 14218.00 Single Pole Plug.
- 10085 Internal Fresnel Lens.

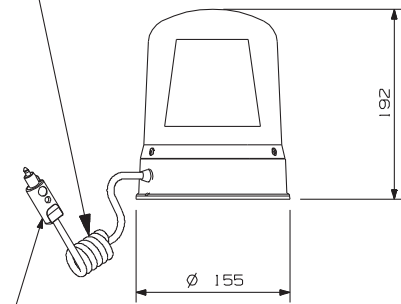


EXTENDED LENGTH 2.5M



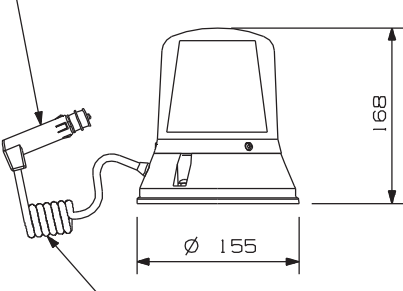
PLUG FITS CIGAR LIGHTER SOCKET OR DIN72591 SOCKET

EXTENDED LENGTH 2.5m



PLUG TO DIN 72591

PLUG FITS CIGAR LIGHTER SOCKET OR DIN 72591 SOCKET



EXTENDS TO 2.5m