

395 PLUG-IN FLEXI BASE ROTATING HALOGEN BEACON

Amber. Flash Rate: 160 flashes per minute. Operating Temperature -30° to 50°.

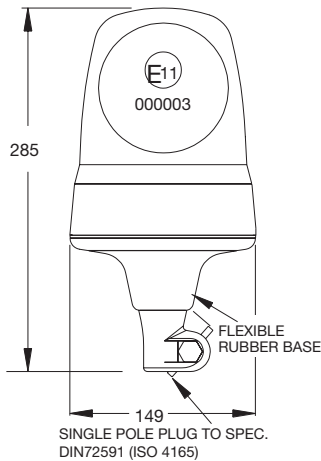
395.100.LB.PC/.12V.PC/.24V.PC

Use with 13109 series fixing socket (not supplied with beacon) see page 29.

Specify voltage when ordering.

Spare Parts

- 10438.00 Amber Lens.
- 15214 Drive Belt.
- 13545.00 Motor Module Assembly.
- 20378.00 Reflector.
- 27031 Bulb Retaining Clip.
- H448 12V (55W) Halogen Bulb.
- H446 24V (70W) Halogen Bulb.



B15 PLUG-IN FLEXI BASE XENON MULTI-VOLTAGE BEACON

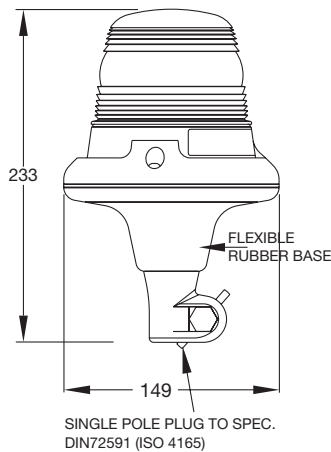
Amber. Polycarbonate Lens. Flash rate 75 flashes per minute. Operating temperature -30° to 50°. Nominal power 2 watts.

B15.00
10V-100V DC 20V-72V AC

Use with 13109 series fixing socket (not supplied with beacon) see page 29.

Spare Parts

- 18544.00 Amber Lens.



295 PLUG-IN FLEXI BASE XENON BEACON

Amber. Flash rate 70 flashes per minute. Operating temperature -30° to 50°.

295.00.DV.PC
10V-30V DC

Use with 13109 series fixing socket (not supplied with beacon) see page 29.

Spare Parts

- 10438.10 Lens.
- 10085 Internal Fresnel Lens.
- 13002.00 Xenon Module.

