



B55 FLEXI BASE PLUG IN LED BEACON

Amber. Polycarbonate Lens. Flash rate 70 groups of 5 flashes per minute. Operating temperature: -30° to 50°.

B55.00.LMV
10V - 49V DC

Use with 13109 series fixing socket (not supplied with beacon) see page 29.

Spare Parts

- 10514.04 Amber Lens.
- 13605.52 Led Module.
- 10085 Internal Fresnel Lens.



B65 PLUG-IN FLEXI BASE LED BEACON

Amber. Polycarbonate Lens. Flash Rate: 70 groups of 5 flashes per minute. Operating temperature -30° to 50°.

B65.00 LMV
10V. 49V DC

Use with 13109 series fixing socket (not supplied with beacon) see page 29.

Spare Parts

- 10503.00 Amber Lens.
- 13604.52 LED Module.



B95 PLUG-IN FLEXI BASE LED BEACON

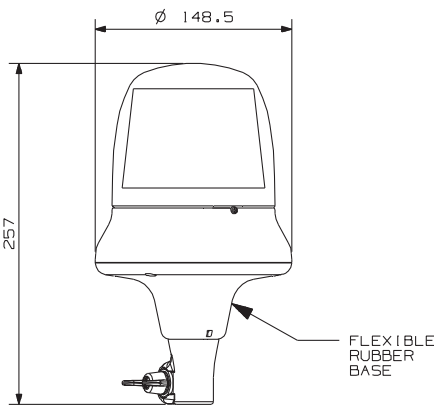
Amber. Flash rate 70 groups of 5 flashes per minute. Operating temperature -30° to 50°.

B95.00.LMV
10V-49V DC

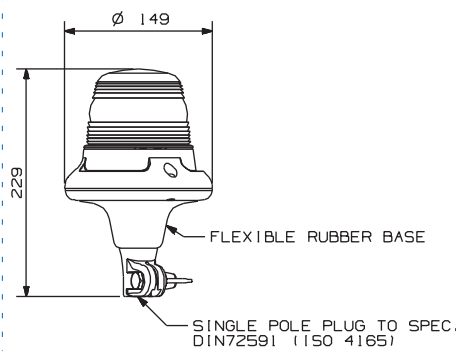
Use with 13109 series fixing socket (not supplied with beacon) see page 29.

Spare Parts

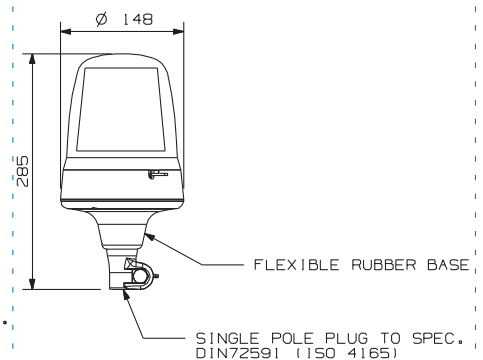
- 10438.13 Amber Lens.
- 13606.52 Led Module.
- 10085 Internal Fresnel Lens.



SINGLE POLE PLUG TO SPEC. DIN72591 (ISO 4165)



SINGLE POLE PLUG TO SPEC. DIN72591 (ISO 4165)



SINGLE POLE PLUG TO SPEC. DIN72591 (ISO 4165)

For more detailed information or advice on any Britax product please call our **Technical Services Department.**