



B27 FLEXI-BASE SINGLE BOLT ROTATING HALOGEN BEACON

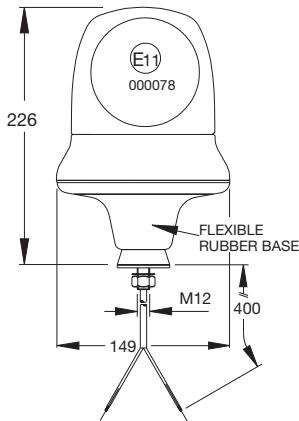
Amber. Polycarbonate Lens. Flash Rate: 160 flashes per minute. Operating Temperature -30° to 50°.

B27.00.12V/.24V

Less bulb (.LB) versions available .12LB or .24LB. Specify voltage when ordering.

Spare Parts

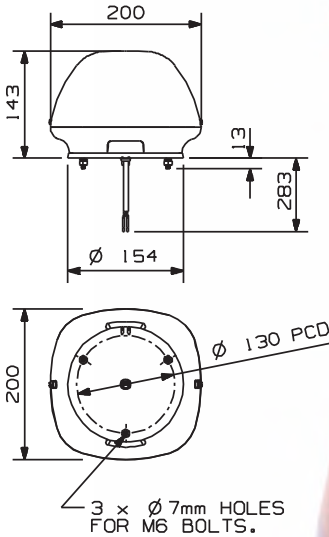
- 10541.00 Amber Lens.
- 27031 Bulb Retaining Clip.
- H448 12V (55W) Halogen Bulb.
- H466 24V (70W) Halogen Bulb



THE NEW STYLE BEACON

B100 SERIES BEACON

- An all new style of Bolt on or Magnetic fix beacon
- Available with rotating (Reg 65), xenon (non Reg 65) or LED (non Reg 65) modules
- A stylish and practical warning product designed to compliment modern vehicle styling



ROTATING MODULE		
B100.00.LB	3 Bolt fixing	Supplied less bulb suitable for 12V or 24V
B104.70.LB	Magnetic Fixing	
LED MODULE (NON REG 65)		
B150.00.LMV	3 Bolt fixing	Multi - Voltage 9V - 36V
B154.70.LMV	Magnetic Fixing	
XENON MODULE (NON REG 65)		
B180.00.DV	3 Bolt fixing	Dual Voltage 12V or 24V
B184.70.DV	Magnetic Fixing	

