

13109.01 ADAPTOR SOCKET & TUBES

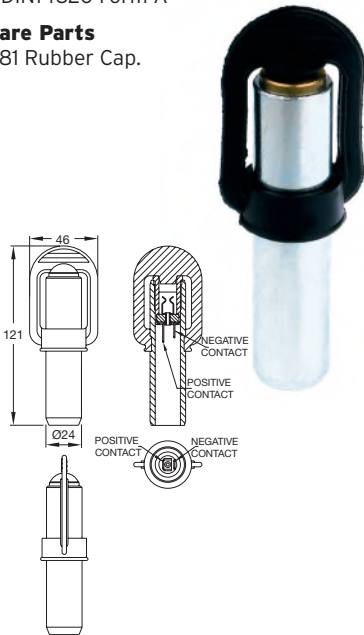
Socket fitted with 2 x 6.3mm male blade terminals.

13109.01

To DIN14620 Form A

Spare Parts

15181 Rubber Cap.



13109.20 ADAPTOR SOCKET & TUBES

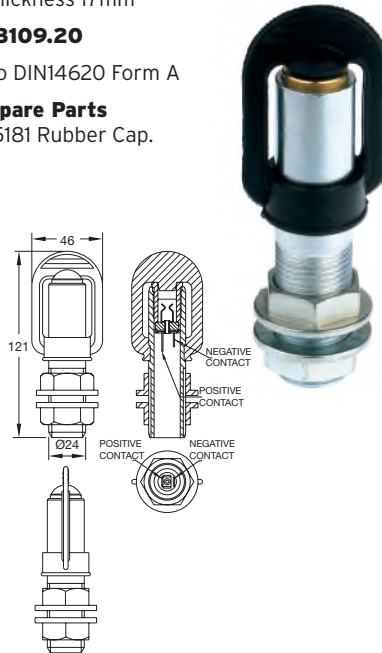
Socket fitted with 2 x 6.3mm male blade terminals. Fitted to vehicle horizontal surface by means of clamping through a 25mm diameter hole. Maximum clamping thickness 17mm

13109.20

To DIN14620 Form A

Spare Parts

15181 Rubber Cap.



13109.30 ADAPTOR SOCKET & TUBES

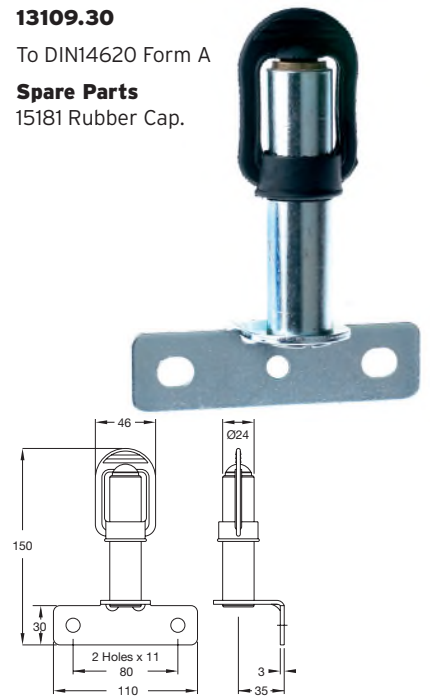
Socket fitted with 2 x 6.3mm male blade terminals. Fitment to vehicle vertical flat surface by means of integral bracket.

13109.30

To DIN14620 Form A

Spare Parts

15181 Rubber Cap.



13109.40 ADAPTOR SOCKET & TUBES

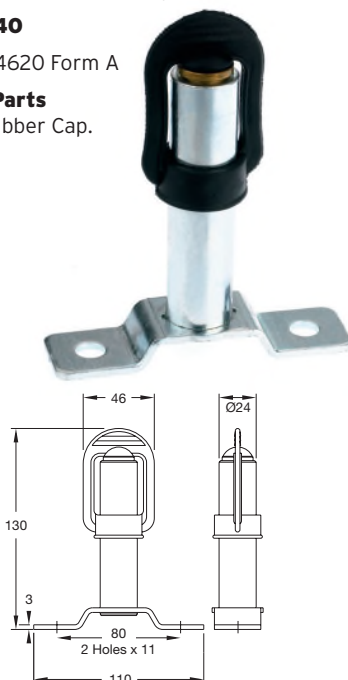
Socket fitted with 2 x 6.3mm male blade terminals. Fitment to vehicle horizontal flat surface by means of integral bracket.

13109.40

To DIN14620 Form A

Spare Parts

15181 Rubber Cap.



13109.25 ADAPTOR SOCKET & TUBES

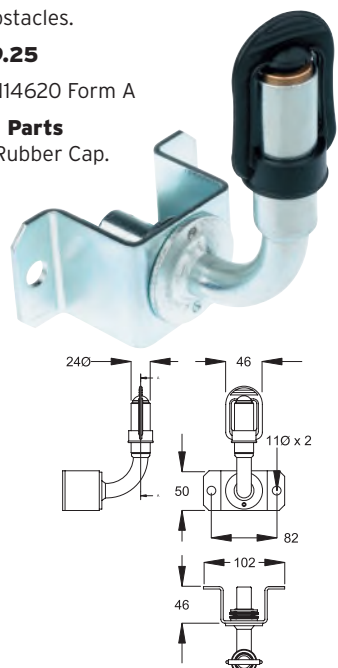
Socket fitted with 2 x 6.3mm male blade terminals. Fitment to vehicle vertical flat surface by means of integral bracket. Socket can be lowered when fixed to avoid low obstacles.

13109.25

To DIN14620 Form A

Spare Parts

15181 Rubber Cap.



For use with:
B22, B25, B15,
272, 292, 295,
322, 372, 392,
395, B65, B52,
B55, B82, B72,
B92, B95
 Ranges of Beacons.