

822 FRONT POSITION BULB LAMP

Front, lens uncoloured.

822.01
12V OR 24V

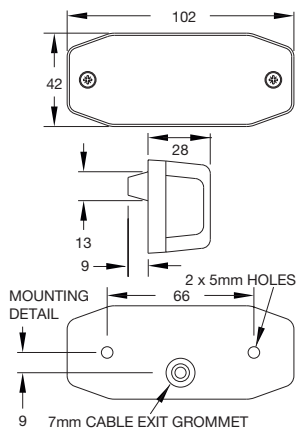
Suitable for horizontal or vertical mounting.

Spare Parts

- 10412.01 Lens Uncoloured.
- 8011.00 Gasket.
- 12V Bulb F239.
- 24V Bulb F242.



Other functions in this style available.



814 FRONT POSITION BULB LAMP

Front, lens uncoloured.

814.01
12V OR 24V

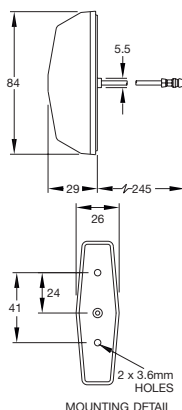
Suitable for horizontal or vertical mounting.

Spare Parts

- 10000.01 Lens Uncoloured.
- 12V Bulb F239.
- 24V Bulb F242.



Other functions in this style available.



9006 FRONT COMBINATION BULB LAMP

Front position and direction indicator. Lens amber/uncoloured. Insulated return.

9006.00
12V OR 24V

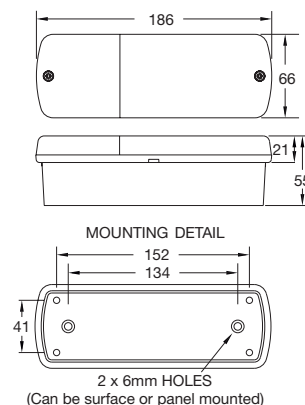
Some lamps will require to have hole 'knock-outs' removed. Suitable for horizontal mounting only.

Spare Parts

- 10445.00 Lens Amber/Uncoloured.
- 12V Bulbs 1 x L207 1 x L382.
- 24V Bulbs 1 x L149 1 x L241.



Other functions in this style available.



There are over **500 models** of mandatory and auxiliary function lamps in the Britax range