

824 REAR POSITION BULB LAMP

Rear (for recessed mounting only). Lens red.

824.01
12V OR 24V

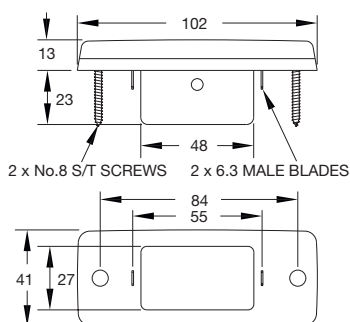
Suitable for horizontal or vertical mounting as fitted to CNH.

Spare Parts

10413.00 Lens Red.
12V Bulb F239.
24V Bulb F242



Other functions in this style available.



825 REAR POSITION BULB LAMP

Rear. Lens red.

825.01
12V OR 24V

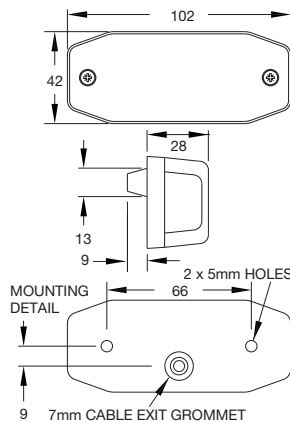
For horizontal mounting only

Spare Parts

10412.00 Lens Red.
8011.00 Gasket External.
12V Bulb F239.
24V Bulb F242



Other functions in this style available.



882 REAR POSITION BULB LAMP

Rear lens red.

882.00
12V OR 24V

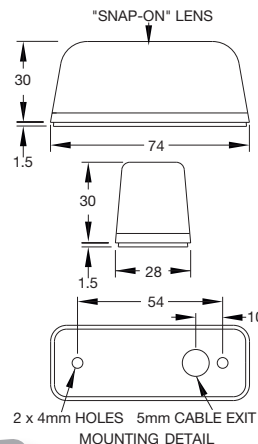
Suitable for horizontal or vertical mounting

Spare Parts

10430.03 Lens Red.
12V Bulb W501.
24V Bulb W507.



Other functions in this style available.



Britax PMG have been supplying lamps to the automotive industry for **over 60 years**. Originally founded as **PMG Thorpe Limited**