

## L427 END OUTLINE MARKER LED LAMP

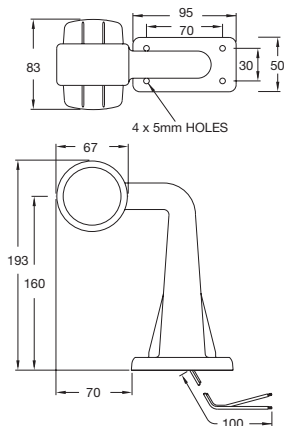
red/uncoloured. Rear + front

**L427.300**  
12V OR 24V specify voltage

For bulb version see page 50.

### Spare Parts

- 29282.00 Led Light Unit Uncoloured 12V.
- 29282.01 Led Light Unit Uncoloured 24V.
- 29283.00 Led Light Unit Red 12V.
- 29283.01 Led Light Unit Red 24V.



## L428 END OUTLINE MARKER LAMPS

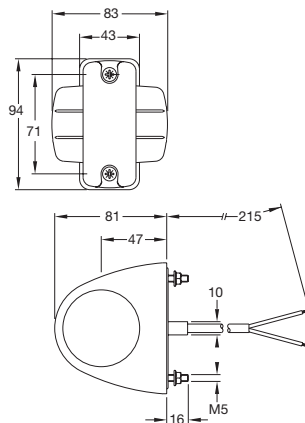
red/uncoloured. Rear + front.

**L428.104**  
12v or 24v specify voltage

For bulb version see page 49.

### Spare Parts

- 29282.00 Light Unit Uncoloured 12V.
- 29282.01 Light Unit Uncoloured 24V.
- 29283.00 Light Unit Red 12V.
- 29283.01 Light Unit Red 24V.



## L12 REAR COMBINATION LED LAMP

Amber/red/uncoloured.

**L12.01.L12V** stop/rear position + direction indicator 12V.

**L12.01.L24v** stop/rear position + direction indicator 24V.

**L12.16.L12V** Fog + incandescent bulb reverse 12V.

**L12.16.L24V** Fog + incandescent bulb reverse 24V.

### L12 Series

12V OR 24V specify voltage when ordering.

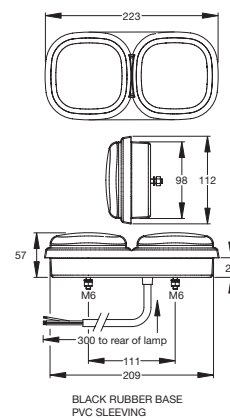
For vertical or horizontal mounting. For bulb versions see page 61.

### Spare Parts

- 29281.00 Led Light Unit - Direction Indicator 12V.
- 29281.01 Led Light Unit - Direction Indicator 24V.
- 29280.00 Led Light Unit - Stop/Rear Position 12V.
- 29280.01 Led Light Unit Stop/Rear Position 24V.
- 29286.00 Led Light Unit - Fog 12V.
- 29286.01 Led Light Unit - Fog 24V.
- 12508.04 Lens Reverse - Uncoloured.
- Bulb 12V L382. Bulb 24V L241.



Reverse available in LED Summer 2011



**NEW LED Lamp variants being added.**  
Please contact **Britax** for latest range