

L897 INTERIOR LED LAMP

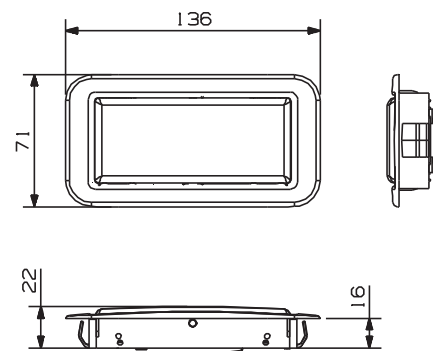
Lens uncoloured.

L897.00.LDV

Clip fixing integral lens/switch 4.8mm male blade terminals

Spare Parts

12386.00 Surface Mounting Adapter.



E07 LED SMART LOAD DEVICE

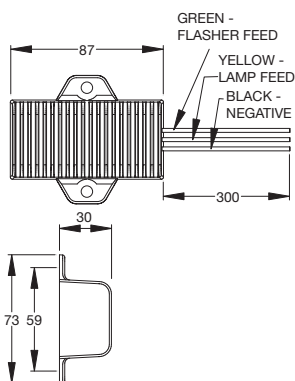
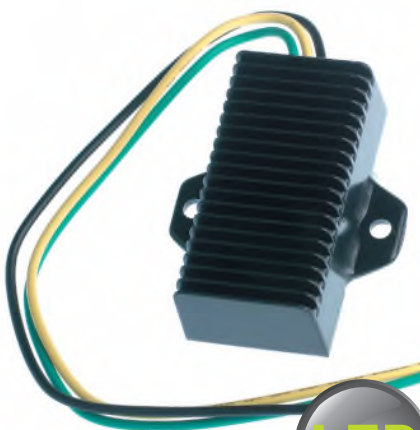
E07.00.12V 12volt.

E07.00.24V 24 volt.

E07.00 12V OR 24V

Specify voltage when ordering. For use with Britax L11,L12,L13 L14 and L25, series LED direction indicator lamps, on vehicles using a conventional flasher unit.

The use of an optional E07 'smart load device' may be required to simulate direction indicator bulb, for the flasher unit to operate correctly.



L52 LED WARNING LAMP

Lens uncoloured.

L52.00.DV amber light.

L52.01.DV blue light.

L52.02.DV red light.

L52.03.DV white light.

L52.04.DV green light.

Selectable multi-flash patterns. Lamps can be synchronised. Low current draw.

L52 3 LEDs DUAL VOLTAGE

Spare Parts

K42.00 Nickel Finish 'L' Bracket.

