

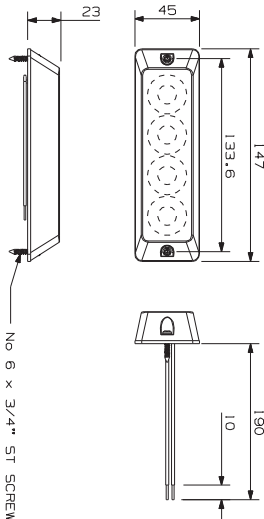
L56 LED WARNING LAMP

Lens uncoloured.

L56.00.DV amber light.
L56.01.DV blue light.
L56.02.DV red light.
L56.03.DV white light.
 Selectable multi-flash patterns.
 Lamps can be synchronised.
 Low current draw.

L56 4 LEDs
DUAL VOLTAGE

Double flange mounting kit available
 K44.00.



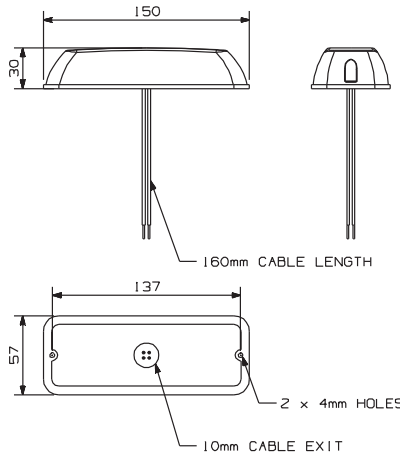
L57 LED WARNING LAMP

Lens uncoloured.

L57.00.DV amber light.
L57.02.DV red light.
L57.03.DV white light.
L57.04DV green light.
 Selectable multi-flash patterns including
 side by side.
 Lamps can be synchronised.
 Low current draw.

L57 32 LEDs
DUAL VOLTAGE

Spare Parts
 K47.00 Black Finish 'L' Bracket



TECHNICAL INFORMATION

LED Modules: Please ensure connections and the rear face of the module are protected from water when mounting. Capillary action can cause moisture to travel along the cable and into the lamp. For more advice call our Technical Department.



Our LED Warning lamp range is being constantly updated. New products will be available during 2011. Please contact our sales team regularly for the latest information.