

Lamps can be specified with **Dedicated cable lengths and connector combinations.**
Call the **Britax** team for guidance

L59/L60/L61 LED WARNING LAMP

Lens uncoloured.

Amber light. L59 - 2 modules. L60 - 4 modules. L61 - 8 modules. Micro bar for internal or external mounting. Attached mounting brackets. Lamps can be synchronised. Select flash patterns.

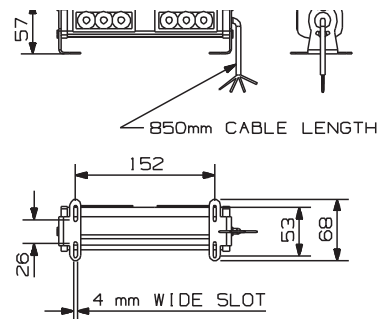
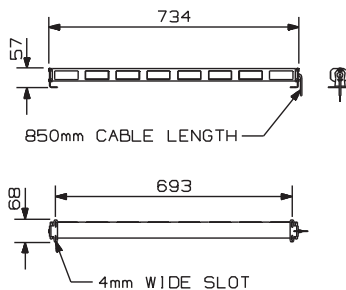
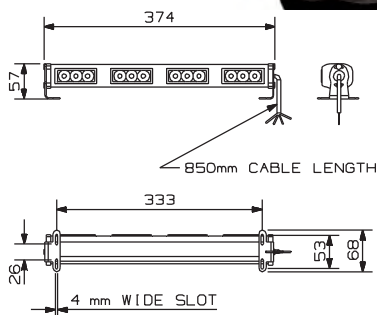
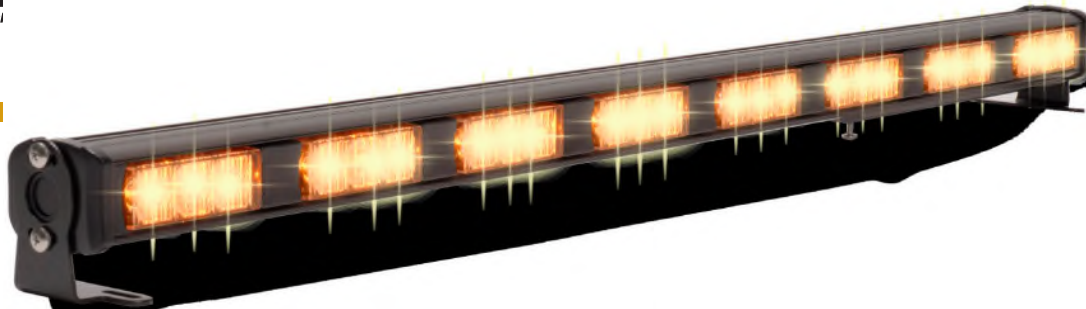
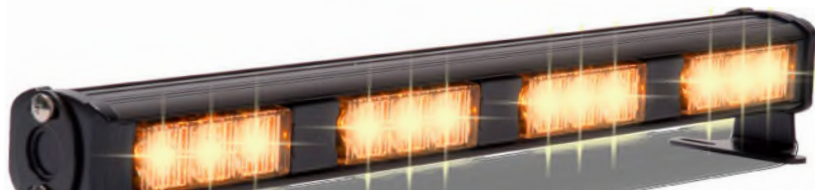
L59.00.DV / L60.00.DV / L61.00.DV
DUAL VOLTAGE

Green/green version available to special order.

Spare Parts

No spares available.

Additional magnet mounting kit. K45.00 (2 per bar)



L66 LED WARNING LAMP

Amber. Lens Uncoloured. Double flash only. Lamps can be synchronised. Dual voltage.

L66.00.DV 6
DUAL VOLTAGE

Surface mount

