

L66 LED WARNING LAMP

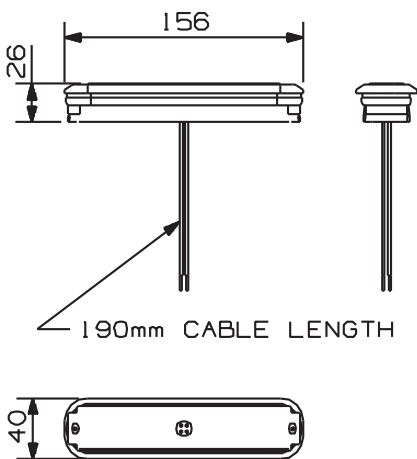
Lens uncoloured.

Amber light. Double flash only. Lamps can be synchronised.

**L66.01.DV 6 LEDs
DUAL VOLTAGE**

Lamp only protrudes 6mm from vehicle bodywork when mounted.

Cutout and Instructions supplied.



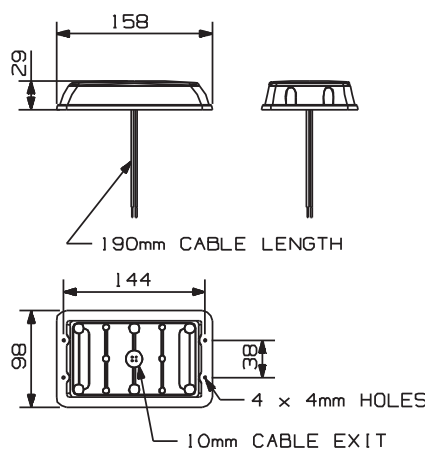
L68 LED WARNING LAMP

Lens uncoloured.

Amber light. Selectable multi flash patterns. Lamps can be synchronised. Low current draw. Alternating and up/down options.

**L68.00.LDV 8 LEDs
DUAL VOLTAGE**

Heavy duty die-cast body.



L72 LED WARNING LAMP

Lens uncoloured.

Amber light. Double flash only. Lamps can be synchronised.

**L72.00.LDV 4LEDs R/H.
L72.01.LDV 4 LEDs L/H.
DUAL VOLTAGE**

Visually the .00 and .01 versions are the same. To achieve a left then right flash (ie. a 'flick/flack' pattern) specify the handed versions.

