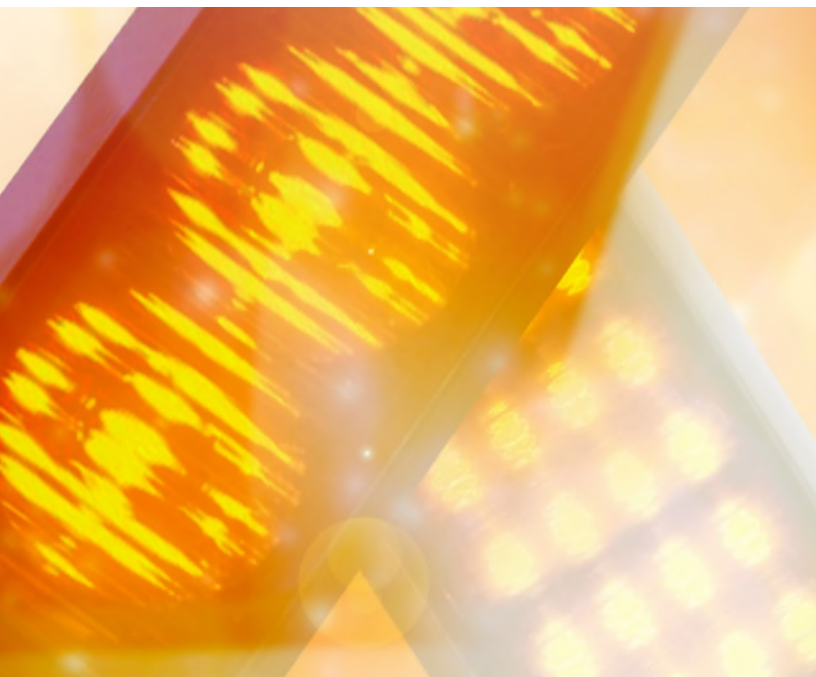


High intensity **LED** warning modules are resistant to dust and water ingress

The Britax LED Worklamps range will be further extended during 2011.

Square and round lamps offering 1000, 1400 and 1900 lumens output will be available.

Contact our sales team for the latest information.

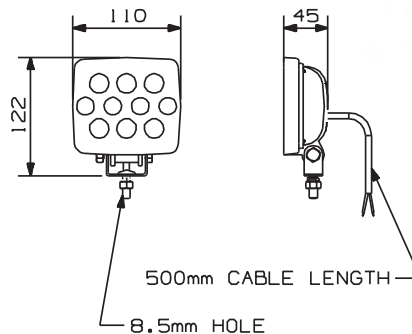


L71 LED WORK LAMP

Uncoloured. 10 bright white LEDs, 540 lumens

L71.00.LDV DUAL VOLTAGE

Stainless steel mounting bracket



Magnetic mounting version available: L71.02.LDV Dual Voltage

BESPOKE BU

9094.00.LB Front position side + direction indicator - uncoloured/amber. **9060.00.LB** Rear position side, stop, direction indicator, reflex reflector 20° angled rubber cushion - red/amber. **9060.05.00.LB** as .00 with flat rubber cushion - red/amber. **9090.00.LB** rear position, side, stop, direction indicator, reflex reflector.

12V OR 24V all lamps supplied less bulb

Complete lamps only available. all 'E' approved to relevant regulations.

This is a bespoke service for a range of 'PMG' lamps which were popular with agricultural vehicle and kit car manufacturers. These part numbers will only be supplied as complete lamps, in minimum order quantities of 12 per part number. There are no spares offered. Lead time will be advised at time of enquiry. For detailed specification, please contact Britax PMG Technical Services.



www.mokoncept.com



www.caterham.co.uk

