

Z4002.820 HEADS

REAR VIEW MIRROR.

Glass spherical radius R2060. To fit Ø16mm arm.

Z4002.820

Heated version available. Z4003.187 24 volt.

Version available to fit Ø22mm arm. 7105.000.A.

To fit Terex Equipment.

Linde Heavy Trucks.

Spare Parts

Z4002.444.05 Glass (Pack Of 5).

Z4003.401.05 Heated Glass 24V (Pack Of 5). 4002.590 Surround Fixing Kit.

Glass is only available in the pack quantity stated.



7132.500.A. 7132.501.A HEADS

REAR VIEW MIRROR.

7132.500.A 12 volt Remote Control.

7132.501.A 24 volt Remote Control.

To fit Ø16mm - Ø22mm arms.

7132.500.A. 7132.501.A

To fit CNH Tractors.

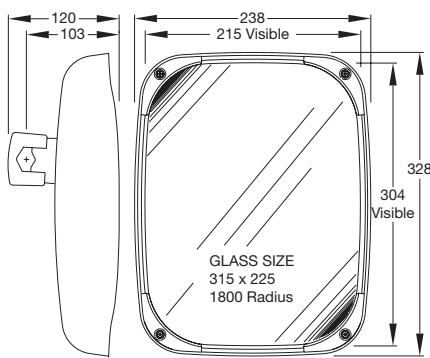
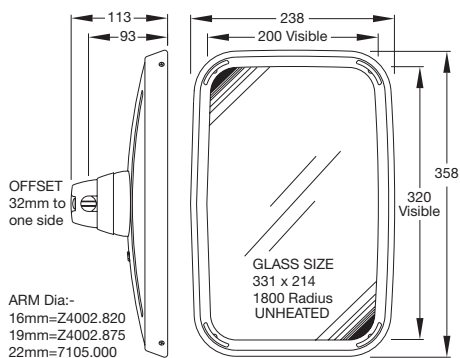
Spare Parts

7418.006.05 Glass (Pack Of 5).

7900.005 Corner Gusset Fixing Kit.

7720.004 Optional Remote Control Switch.

Glass is only available in the pack quantity stated.



Britax mirrors are specified by the following vehicle manufacturers:-

CNH, New Holland, John Deere, AGCO, Caterpillar, Valtra, JCB, Volvo Construction Equipment, Terex, Modec, Linde Heavy Truck, Scarab Sweepers, Emmegi, Komatsu, Johnston Sweepers.