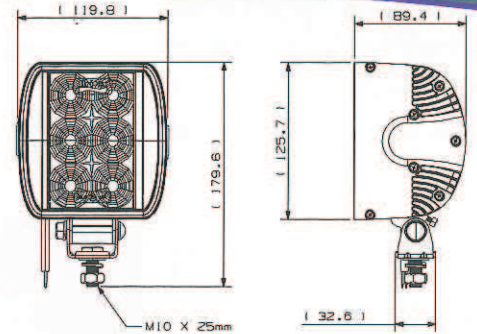




# HIGH POWERED WORK LAMPS

**SEE OVERLEAF  
FOR COMPACT  
VERSIONS**

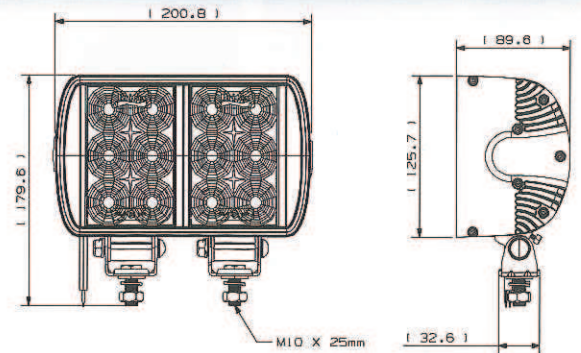
**L82.00.LMV Rectangular  
single bolt 6 LED's**



1500 Lumens - power consumption 1.75A@12V 0.9A@24V



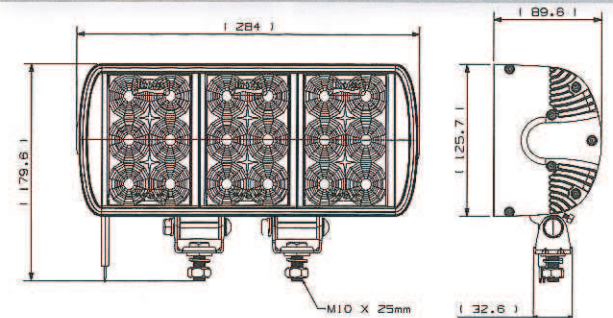
**L83.00.LMV Rectangular  
2 bolt adjustable 12 LED's**



3000 Lumens - power consumption 3.5A@12V 1.75A@24V



**L84.00.LMV Rectangular  
2 bolt adjustable 18 LED's**



4500 Lumens - power consumption 5.25A@12V 2.6A@24V

### What are Lumens?

- The lumen is the SI\* derived unit for 'luminous flux', it is a measure of the total 'amount' of visible light emitted by a source.
- The higher the quoted number means: more intense visible light.

(\* = International system of units.)



**BRITAX PMG LTD**

Bessingby Industrial Estate  
Bridlington, East Yorkshire,  
YO16 4SJ, England

T +44 (0) 1262 670161  
F +44 (0) 1262 605666

E info@britax-pmg.com  
W www.britax-pmg.com

Contact your local Britax distributor:

### THE BRITAX RANGE ALSO INCLUDES:

- WINDSCREEN WIPER BLADES • 12VOLT & 24VOLT PLUGS AND SOCKETS • JUNCTION BOXES • REVERSE ALARMS • BATTERY MASTER SWITCHES • BRITAX PMG LIMITED ARE MAIN AGENTS FOR VALEO (SWF) ROCKER SWITCHES AND STEERING COLUMN MULTI-FUNCTION LEVERS.