

Britax

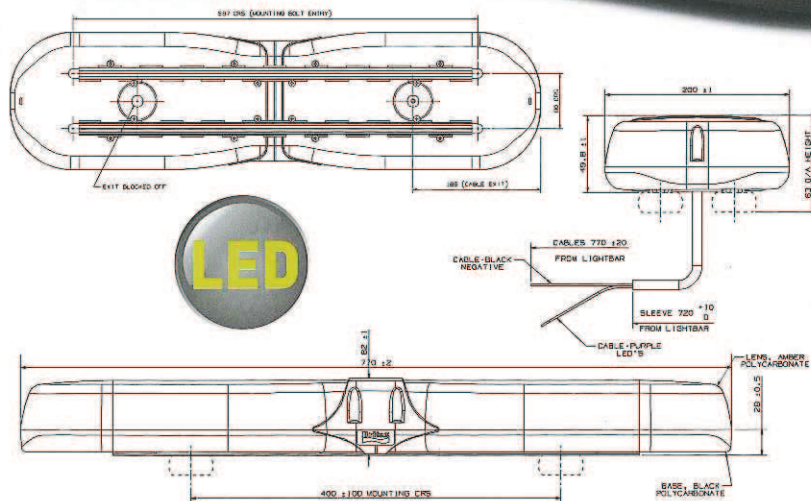


The first choice for...
**LED AEROLITE
 LIGHTBARS**
 ECE Reg. 65

**A13720.000.DV SERIES LOW
 PROFILE LED LIGHTBAR 770mm**



- **LOW PROFILE LED LIGHTBAR APPROVED TO ECE REGULATION 65**
- **DOUBLE FLASH ONLY 120 FLASHES PER MINUTE**
- **12V OR 24V OPERATION**
- **LOW CURRENT CONSUMPTION (2.5amps @ 12V 1.4amps @ 24V)**
- **DESIGNED TO COMPLEMENT MODERN VEHICLE STYLING**
- **COMPLIES WITH EEC DIRECTIVE 2004/104/EC FOR ELECTROMAGNETIC COMPATIBILITY**



SUITABLE FOR:



COMMERCIAL VEHICLE SMALL



COMMERCIAL VEHICLE LARGE



CONSTRUCTION VEHICLE



AGRICULTURAL VEHICLES



WASTE DISPOSAL VEHICLES



Britax

BRITAX PMG LTD

Bessingby Industrial Estate
 Bridlington, East Yorkshire,
 YO16 4SJ, England

T +44 (0) 1262 670161
 F +44 (0) 1262 605666

E info@britax-pmg.com
 W www.britax-pmg.com

- **BRITAX HAS BEEN ESTABLISHED FOR OVER 60 YEARS AND IS ACCREDITED TO THE LATEST INDUSTRY STANDARDS.**
- **BRITAX IS A MAJOR SUPPLIER OF EQUIPMENT TO GLOBAL CONSTRUCTION AND AGRICULTURAL VEHICLE BUILDERS.**

SEE OVERLEAF
 FOR DETAILS OF
 THE NON-REG 65
 VERSION

A member of the Public Safety Equipment (PSE) group of companies.